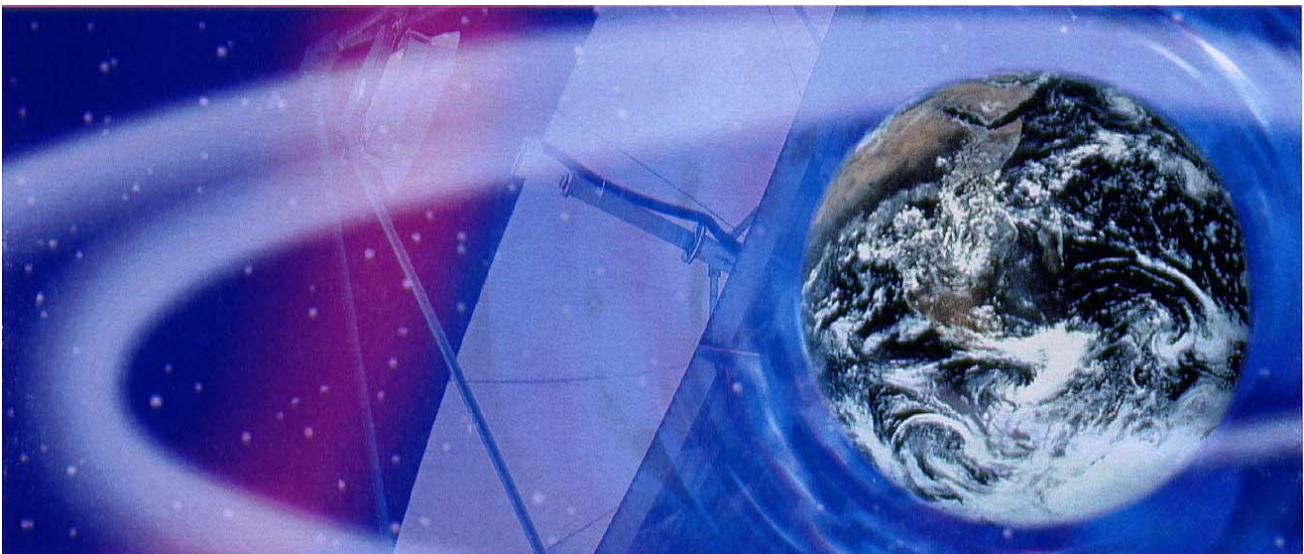




Antenna Mount Amplifier

For Satellite Communications



Operation Manual

Type STA2000 Series

Whilst e2v technologies has taken care to ensure the accuracy of the information contained herein it accepts no responsibility for the consequences of any use thereof and also reserves the right to change the specification of goods without notice. e2v technologies accepts no liability beyond the set out in its standard conditions of sale in respect of infringement of third party patents arising from the use of tubes or other devices in accordance with information contained herein.

e2v technologies (uk) limited, Waterhouse Lane, Chelmsford, Essex CM1 2QU United Kingdom Holding Company: e2v technologies plc

Telephone: +44 (0)1245 493493 Facsimile: +44 (0)1245 492492

Contact e2v by e-mail: enquiries@e2v.com or visit www.e2v.com for global sales and operations centres.

© e2v technologies (uk) limited 2010

DAS768892AA Version 1, March 2010

108210

This Operation Manual covers the following amplifier type numbers:

STA2175, STA2275, STA2375, STA2T45, and STA2450 Series (including all derivatives).

SAFETY NOTES

The following warnings and precautions are for your safety and the prevention of injury. Please read them carefully and observe at all times when installing or operating a Stellar Travelling Wave Tube Amplifier. Hazard warning signs, as defined in BS5378 Safety Signs and Colours, are used on the equipment to highlight any possible hazards.



Earthing

The mains supply connection cable to the amplifier must include an electrical safety protective earth conductor, installed and connected to the local distribution system earthing point in conformance with local regulations. The electrical safety protective earth conductor must be capable of carrying 20A and must be from an approved manufacturer (2.5 mm²/12 AWG).

An external protective earth, also providing protection against RF and transient currents, must be connected between the amplifier and an adjacent earth point before applying the mains supply and should only be removed after disconnecting the amplifier from the supply. The external protective earth conductor must be a flat copper strap, braided or plain, and must be capable of carrying 30A. The length of external protective earth conductor must not exceed 400mm.



Mains Supply

A mains supply disconnection device must be provided to isolate this amplifier from the mains supply source. Either a plug/socket outlet or a two-pole isolation switch must be used as the mains supply disconnection device, and it must be easily accessible. The connector on the amplifier is NOT suitable, and must not be used to disconnect the amplifier when powered.



Toxic Material

The Travelling Wave Tube (TWT) within the amplifier contains beryllium oxide. Dust created by breakage, or fumes from a beryllium oxide fire, are highly toxic if inhaled, or if particles enter the body via a cut or abrasion.

Consult e2V technologies and the appropriate national authorities for details regarding the disposal of damaged or old TWTs and amplifiers.



High Voltage

High voltages in excess of 11.5kV are present within the amplifier. However, the equipment is designed so that personnel cannot come into contact with high voltage circuits unless the covers are removed.

Access inside the amplifier is restricted to suitably skilled engineers.



RF Radiation

Exposure of the human body to microwave radiation can constitute a hazard (ANSI/IEEE C95-1-1992). Personnel must be protected from microwave energy produced by the TWT.

All RF connectors must be correctly fitted before operation, so that there is no leakage of RF energy. The amplifier must not be operated unless the RF output connection is correctly terminated. It is particularly hazardous to look into open waveguides, coaxial feeders, or transmitter antennae when the amplifier is operating.



Input Drive

Damage to the amplifier may occur if the RF input drive level or the input frequency are outside the limits given in the specification for the model (see section 1.1).

Environmental

- Do not block, or poke objects through, the amplifier ventilation slots.
- Do not spray aerosol cleaners directly on to the amplifier surfaces when cleaning.
- Do not operate the amplifier on an unstable or unsafe surface.
- Ensure that all cables cannot be walked on, tripped over or damaged by furniture or movable equipment.
- Do not place objects inside the waveguide.
- Ensure exhaust air is not re-circulated.

STANDARDS COMPLIANCE

Stellar amplifiers comply with the following requirements. Further details may be provided if necessary.

- EEC Directive 89/336/EEC Electromagnetic compatibility.
- EEC Directive 73/23/EEC Low voltage directive.
- CETLus listed to ANSI/UL 60950-1-2002 & CAN/CSA22.2 No. 60950-1-03.

e2v technologies' quality management system is certificated to the requirements of ISO9001:2000.

CUSTOMER CARE

Stellar 24-Hour Hotline

In the event of a Stellar product operational problem or urgent application enquiry:

1. Complete a Product Service Report Form before calling the Hotline. A copy can be found at the back of this manual.
2. Contact the Stellar Hotline on **+44 (0)1245 355398**, where your enquiry will be dealt with.

Return Procedure

In the event of a Stellar product requiring return to e2v technologies:

1. Have as many of the following details as possible to hand before contacting e2v technologies. This will help us to respond promptly to your request.
 - Type number (found on the panel adjacent to the RF output).
 - Serial number (found on the panel adjacent to the RF output).
 - Has the product been damaged?
 - Description of any operational fault or problem.
 - Return address.
2. The Customer Service Team will issue you a Reference Number for the return.
3. Complete a Product Service Report Form (a copy can be found at the back of this manual), noting in particular any unusual occurrences before or at the time of failure. The form must be returned with the product.
4. If the original packaging is in good condition, use it to return the product. If the original packaging is damaged, e2v technologies can supply suitable replacement packaging for a small charge.
5. Clearly mark the outer packaging with the following information:
 - Reference number.
 - Type number
 - Serial number
 - Return address.

For further details, refer to the e2v technologies Standard Conditions of Warranty, a copy of which can be found at the back of this manual.

CONTENTS

1	THANK YOU FOR BUYING STELLAR	7
1.1	RANGE OF OPTIONS	7
2	CARE OF YOUR AMPLIFIER	9
2.1	STORAGE	9
2.2	HANDLING	9
2.3	UNPACKING	9
2.4	CLEANING	9
2.5	MAINTENANCE	9
3	INSTALLATION CONSIDERATIONS	10
3.1	MOUNTING	10
3.2	RF CONNECTIONS	11
3.3	COOLING CONSIDERATIONS	11
3.3.1	Some Cooling Facts and Figures	11
3.3.2	Ducting Considerations	12
3.3.3	Equipment Housing	12
3.3.4	Commissioning the Installation	13
3.4	MAINS SUPPLY CONNECTION	13
3.4.1	Mains Supply Cable Connection	13
3.4.2	Earthing	14
3.4.3	Mains Supply Distribution	14
3.5	USER INTERFACE CONNECTIONS	14
3.6	REDUNDANT SWITCH CONFIGURATION	14
4	BASIC OPERATION OF THE AMPLIFIER	16
4.1	APPLYING THE MAINS VOLTAGE	16
4.2	MAINS SUPPLY INTERRUPTIONS	16
4.3	FUNCTIONS	16
4.3.1	Amplifier Off State	16
4.3.2	Amplifier Warm-up State	16
4.3.3	Amplifier Standby State	16
4.3.4	Amplifier Transmit State	17
4.4	UP-CONVERTER OPERATION	17
4.5	RF SAMPLE PORT	17
5	USER INTERFACES	18
5.1	PIN IDENTIFICATION	18
5.2	USER INTERFACE FEATURES	19
5.2.1	Indicator Outputs – Type 1	19
5.2.2	Indicator Outputs – Type 2	20
5.2.3	Analogue Outputs	20
5.2.4	Control Inputs – Type 1	20
5.2.5	Control Inputs – Type 2	21
5.2.6	Control Inputs – Type 3	21
5.2.7	Miscellaneous Functions	22
6	RS-485 SERIAL BUS	23
6.1	GENERAL DESCRIPTION AND FEATURES	23
6.1.1	HPA Type?	23
6.1.2	Status?	23
6.1.3	General Amplifier Control	25
6.1.4	Redundancy Mode	25
6.1.5	Power Alarms	25
6.1.6	Warm-up Time?	25
6.1.7	Attenuator Control	25
6.1.8	RF Control	26
6.1.9	Helix Current Monitoring	26
6.1.10	Elapsed Hours?	26
6.1.11	Forward Power?	26
6.1.12	Interface set-up	26
6.1.13	RF band selection	27
6.2	PROTOCOL	28
6.2.1	Interface and Termination	28
6.2.2	Data Format	28
6.2.3	Data Rate	28
6.2.4	Generalised Message Format	28
6.2.5	Command Message Format	29
6.2.6	Response Message Format	29

6.2.7	Message Timing	29
6.2.8	Summary of Command Messages	29
6.3	EXAMPLES OF COMMAND AND RESPONSE MESSAGES.....	30
6.3.1	Simple Command Message (no return of data)	30
6.3.2	Command Messages Requesting data	31
6.3.3	Universal Command Messages Requesting Data.....	31
6.3.4	Command Messages Requesting Longer Data Strings	33
6.3.5	Command Messages Passing Parameters	33
6.3.6	Response to an invalid command message.....	33
6.4	APPLICATION NOTES	34
7	RELATED DOCUMENTS.....	35
8	APPENDICES	36
8.1	APPENDIX A	36
8.2	APPENDIX B	37
8.3	APPENDIX C.....	38
8.4	APPENDIX D.....	39
8.5	APPENDIX E.....	40

1 THANK YOU FOR BUYING STELLAR

Thank you for buying a Stellar Travelling Wave Tube Amplifier (TWTA). This antenna mount amplifier range from e2v technologies provides RF power outputs up to 750W and operates in the frequency bands shown in figures 1 and 2. The amplifier is:

- Compact.
- Lightweight.
- Portable – can run off a wide range of mains input voltages and frequencies.
- Designed for high reliability.

Before using your new amplifier, we recommend that you spend a little time to read this manual to familiarise yourself with its operation and features.

If you have any further questions, or recommendations about this manual, please contact your distributor.

In addition to this manual your amplifier should be supplied with:

- A mains connector.
- A control connector plug.
- Test results.
- Air cowl.
- Waveguide screws, 8 off 10-32 UNF-2B (for C-band), 8 off 8-32 UNC-2B (for X-band), 4 off 6-32 UNC-2B (for Ku, DBS and Tri band).
- **Note:** for installation you will require a suitable mains cable, connecting plug and residual current circuit breaker (RCCB) (see section 3.4).

1.1 RANGE OF OPTIONS

The STA2000 series of antenna mount amplifiers includes the following RF system options (see figures 1 and 2).

- Low gain (no solid-state pre-amplifier).
- Integral solid-state pre-amplifier (fixed gain).
- Integral solid-state pre-amplifier (digitally variable gain) using serial bus.
- Integral linearizer.
- Internal L-band block up converter.
- Breakout link (for use with internal up converter).

STA2000 SINGLE BAND VERSIONS

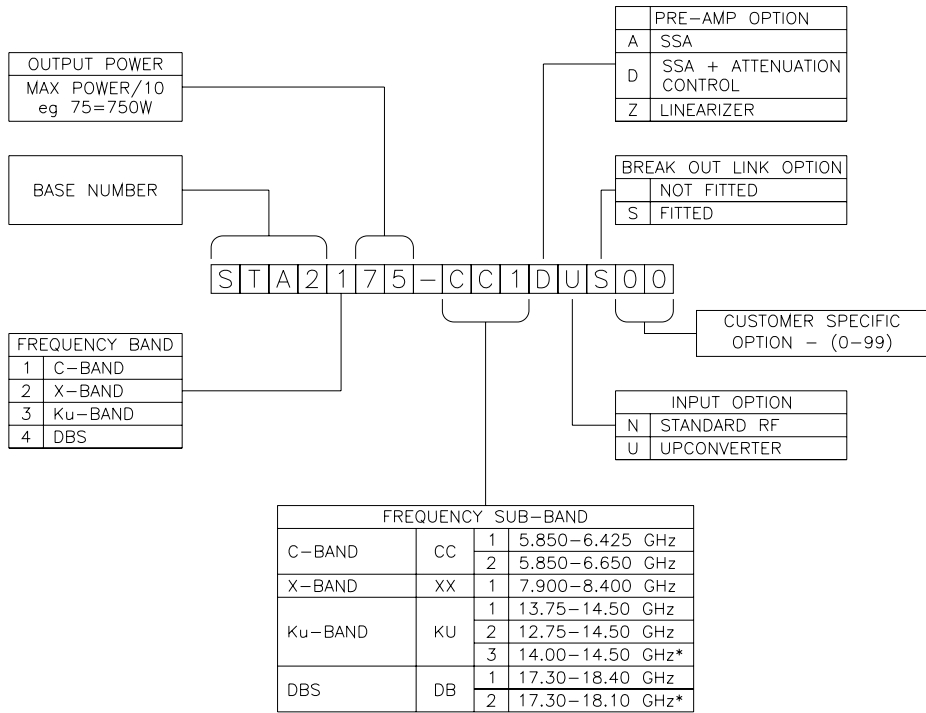


Figure 1

STA2000 MULTI-BAND VERSIONS

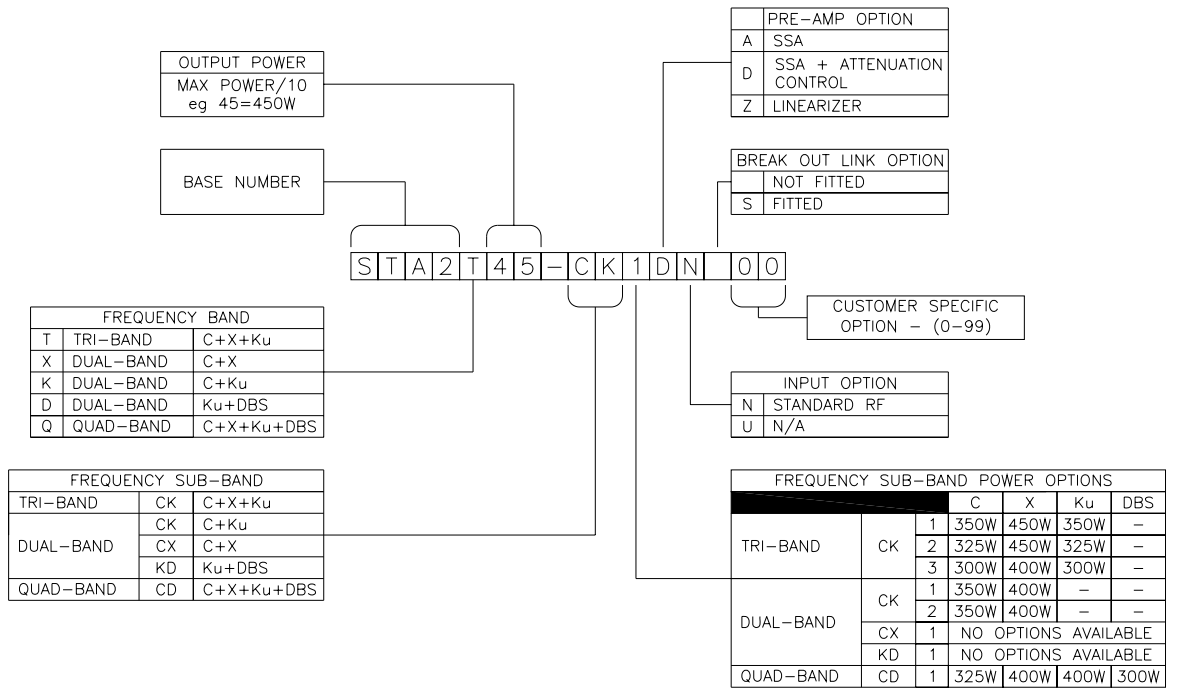


Figure 2

2 CARE OF YOUR AMPLIFIER

2.1 STORAGE

- Store the amplifier in its normal horizontal orientation.
- Storage temperature is from –40 to –80°C.
- Do not use amplifier boxes to support the weight of any other item.
- Retain the amplifier boxes for future use.
- Avoid severe shocks.

2.2 HANDLING

The amplifier nominally weighs 34 kg, so care must be taken when attempting to lift or carry it.

2.3 UNPACKING

Only install and use the amplifier within the specified environmental limits.

2.4 CLEANING

The amplifier is designed for use in harsh environments without additional protective covers. The internal forced-air cooling system relies on the internal and external airways being free from blockages. The cooling air enters and exits the unit through slotted panels designed to prevent large items of foreign matter from entering and potentially blocking the internal airways. A maintenance plan should be developed to check and clean the amplifier slotted panels regularly. The frequency of cleaning will be dependent upon the installation and the environment. The maintenance plan should be regularly reviewed and modified according to changes in the environment (this can be seasonal, e.g. airborne seed pods can cause regular blockages at certain times of the year).

The advanced packaging and cooling techniques (Stellar Cool™, patent pending) enables the unit to operate in extreme environmental conditions, from direct rain to direct sunlight.

When cleaning, do not use detergents or other cleaners without consulting e2v technologies. The amplifier must be disconnected from the mains supply before cleaning.

2.5 MAINTENANCE

Airways should be checked regularly for blockages (see section 2.4).

Desiccant should be replaced every 3 to 5 years, depending upon environmental conditions. The typical life of desiccant is 5 years in sub-tropical conditions, assuming that the seal on the lid has not been disturbed.

Check the mains cable for damage.

3 INSTALLATION CONSIDERATIONS

3.1 MOUNTING

The amplifier can be:

- Used free standing.
- Mounted in a flight case.
- Mounted on the roof of a vehicle.
- Mounted to an antenna system.

The amplifier has six M6 mounting points (three each side, 10 mm maximum depth), which can be used to mount the amplifier solidly to the chosen platform (see figure 3). Suitable load spreading washers, locking nuts and/or locking washers should be used to prevent the amplifier from working loose under vibration and shock conditions that each installation may impose. This is especially important for mobile applications.

Where possible, the amplifier should be positioned to avoid the direct entry of rainwater into the ventilation slots. The amplifier is provided, as standard, with an air cowl, the normal orientation of which is pointing towards the base of the unit avoiding the direct entry of driving rain.

Note: There is a drainage hole in the cover to prevent the build-up of water if the amplifier is inadvertently mounted or left upside-down.

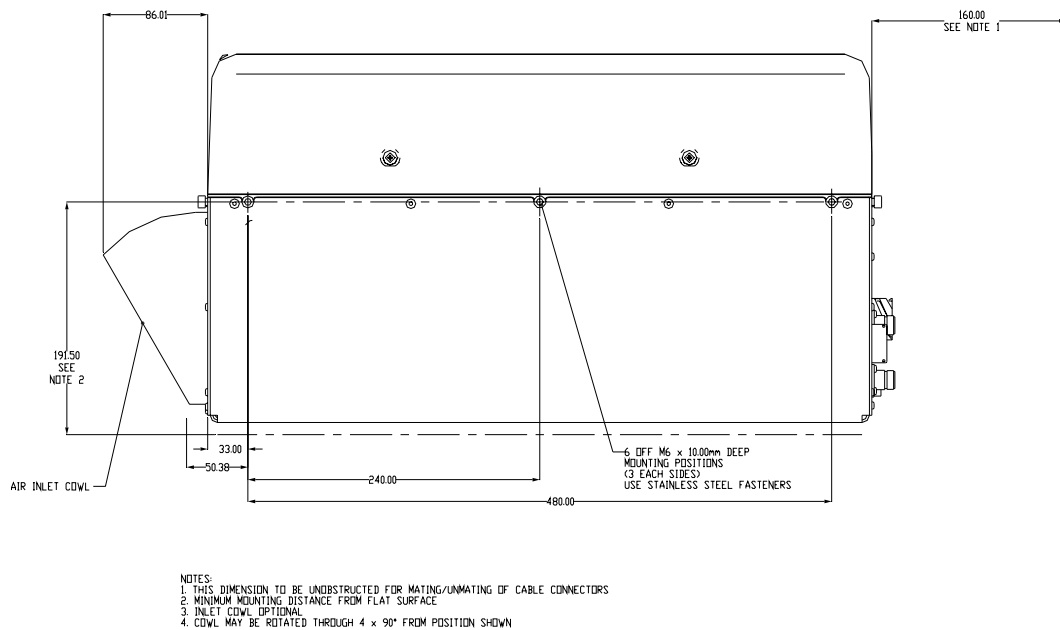


Figure 3

The amplifier should be mounted with a nominal 5 mm clearance from any adjacent equipment or surface. This will avoid mechanical interference due to tolerances on equipment parts and/or movement under operational vibration.

If the amplifier is to be fitted against a flat surface, a flexible gasket material should be used to minimise excessive noise in mobile applications.

If the amplifier is to be installed where a secondary rain cover is used, the air cowl may be removed.

When designing the installation, a space at the end should be allowed for the disconnection and the bend radius of connection cables (see figure 3).

3.2 RF CONNECTIONS

RF input and output connections are made via waveguide connectors on opposite ends of the amplifier.

- **C-Band.** Waveguide type WG14 should be used. The RF output is CPR 137F, with eight tapped holes 10-32 UNF-2B (maximum internal thread depth 8mm). The amplifier is provided with sufficient bolts for this flange.
- **X-Band.** Waveguide type WG15 should be used. The RF output is CPR 112G, with eight tapped holes 8-32 UNC-2B requiring eight bolts. The amplifier is provided with sufficient bolts for this flange.
- **Ku-Band.** Waveguide type WG17 or WG75 may be used. The RF output is UBR120, with four tapped holes 6-32 UNC requiring four bolts (6-32 UNF-2B, maximum internal thread depth 8mm). The amplifier is provided with sufficient bolts for this flange.
- **DBS-Band.** Waveguide type WG18 should be used. The amplifier is provided with sufficient bolts for this flange, (4 off 6-32 UNC-2B).
- **Tri-Band.** Waveguide type WRD580 should be used. The amplifier is provided with sufficient bolts for this flange, (4 off 6-32 UNC-2B).

RF input signals applied must be within the frequency range specified for the particular amplifier type (see figure 1 and 2). The maximum RF input drive level should not exceed +10dBm for pre-amplifier option C and -10dBm for pre-amplifier options A, D or Z.

If the amplifier is to be used in applications where it is exposed to rain or subjected to condensation, all attempts should be made to prevent moisture ingress into the waveguide system. It is recommended that all external waveguide joints are made using flanges fitted with 'O' rings to prevent moisture ingress.

3.3 COOLING CONSIDERATIONS

Temperature affects the life and reliability of high power electronic devices. As the temperature of the device increases, generally reliability and life expectancy decrease; TWTAs are no exception. Please follow the cooling considerations for your amplifier to ensure many trouble free years of use.

Engineers at e2v technologies have many years of experience working with customers to integrate equipment successfully and to ensure that long and reliable product lives are achieved. The information contained within this section has been gained from both field experience and theoretical cooling system design knowledge. As most installations differ, the advice given is only general. Any specific aspects of installation design can be discussed further by contacting (by telephone, fax or e-mail) the Stellar Product Support Team at e2v technologies.

3.3.1 Some Cooling Facts and Figures

Minimum air flow	112 litre/sec 240 ft ³ /min
Minimum duct area	250 cm ² (39 in ²)
Typical internal power dissipation (no RF drive):	
C- or X-band	1600W
Ku- or DBS band	1500W
Tri-band	1800W

The amplifier utilises an efficient, integral, forced-air cooling system and is equipped with two thermal sensors to protect it in the event of an over-temperature condition. The cooling fan has a continuously variable speed of rotation so that, when the amplifier is operating normally, the cooling fan will rotate at the slowest speed consistent with adequate cooling of the TWT collector.

When the temperature of either thermal sensor exceeds preset levels, the amplifier will automatically change state from transmit to fault. In the fault state, the dissipation within the amplifier is greatly reduced and if the airflow is normal, the amplifier will rapidly cool. At this stage, the installation cooling system should be visually inspected for blockages and cleaned as necessary. When normal airflow is confirmed, the amplifier can be placed back into the transmit state.

The amplifier is automatically placed in the off state if the over-temperature condition exists for more than 4 minutes. The mains supply should be removed and the amplifier isolated before a full

inspection is made of the installation cooling system. The amplifier should be left for 20 minutes before any attempt is made to restart.

Following an over-temperature condition, the TWT COLLECTOR TOO HOT or CASE TOO HOT fault conditions are set. These conditions can be monitored via the user interface or accessed through the serial communications port (see sections 5 and 6).

When deciding on the location of the amplifier the following points should be observed:

- It is important not to obstruct the air inlet or the air exhaust.
- In any system, it is mandatory to prevent hot exhaust air from re-circulating to the cooling inlet, otherwise the air temperature will increase, resulting in potential thermal runaway. This is a prime consideration when designing common ducting systems for multiple amplifiers.
- In any other instance, if there is significant additional obstruction to the airflow, then it may be necessary to provide externally forced or cooled air to the amplifier.

3.3.2 Ducting Considerations

The amplifier is provided as standard with one air cowl, the normal orientation of which is pointing towards the base of the amplifier (see section 3.1). The cowl can be turned through 180° for alternative mounting configurations. The cowl is designed to avoid driving rain entering the unit if a secondary cover is not used.

Any ducting connected to the air inlet or exhaust will create additional back-pressure, reduce the airflow and increase the internal temperature of the amplifier. Additional ducting should be avoided if possible, but if it is essential for the application then:

- Keep ducting lengths to a minimum. Check the amplifier maximum operating temperature derating for the length of duct required.
- Route ducting directly, avoid sharp bends and ensure that the minimum bend radius is three times the ducting diameter.
- Use the largest cross-sectional area of ducting possible.
- Use smooth walled ducting and avoid corrugated ducting, as it is more restrictive to airflow.
- Transitions in ducting sizes should be smooth, so avoid step changes.
- Do not use ducting adaptors that reduce the internal cross-sectional area of the ducting.

If the installation dictates restrictive duct systems, install additional external fans to provide adequate airflow and counteract the effects of ducting. The additional fans should be installed on the air input to the amplifier, where the air is at its coolest.

3.3.3 Equipment Housing

All equipment housings, including basic flight cases, roof mount enclosures, cabins and air-conditioned rooms, have common cooling system design requirements:

- Maintain an adequate supply of air to the inlet; a 250 cm² (39 in²) unimpeded aperture should be provided into any enclosure for each Stellar amplifier.
- The local source and destination of cooling air should be ideally be common, to avoid back-pressure caused by differential pressure effects.
- Housings that are exposed to environmental wind effects should use a common face inlet for exhaust vents, to avoid back-pressure caused by differential wind effects.
- Terminations of inlet and exhaust vents should be of a design that prevents direct environmental wind effects, whilst avoiding creating additional restriction to airflow.
- If a sealed cooling system with re-circulating air-conditioners is used, an over temperature alarm should be fitted to the cabin to detect air conditioner failures.

- In any system, prevent hot exhaust air from re-circulating to the air inlet, otherwise the inlet air temperature will increase, resulting in potential thermal runaway. This is a prime consideration when designing common ducting systems for multiple amplifiers.

3.3.4 Commissioning the Installation

When commissioning the installation, the temperature difference across each amplifier should be checked to assess the suitability of the cooling system. Temperature measurements should be taken as follows:

- Under the worst case operating conditions with the amplifier in the transmit state, no RF drive applied (beam only) and after the amplifier has thermally stabilised (typically 2 hours after transmit (XMIT) has been selected).
- As close to the amplifier air inlet and exhaust as possible (to reduce the effects of inaccuracies caused by uneven temperature distribution).

3.4 MAINS SUPPLY CONNECTION

The safety notes at the start of this manual should be read before connecting the amplifier to the mains supply.

The amplifier can be operated from mains supplies of 200 to 240V ac without any user adjustments. Both the live and neutral connections on the amplifier are fully rated and isolated for maximum line voltage, full transient and noise immunity.

The amplifier is supplied with one mains cord and a connecting plug. A residual current circuit breaker (RCCB) must be used, approved for any local wiring regulations and rated for the environmental and operational conditions. A cord size of $3 \times 2.5 \text{mm}^2$ (12 AUG) minimum must be used. The connection of the wiring cord to the amplifier connector must be made by a suitably qualified person. The pin configuration is shown in figure 4.

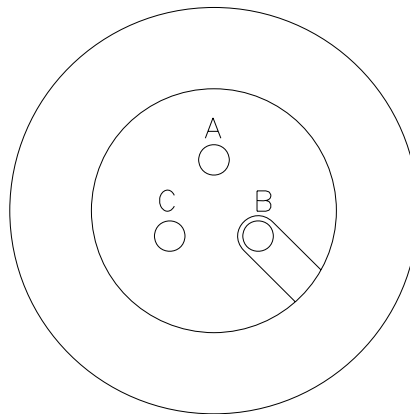


Figure 4.

The plug connecting to the local mains distribution is the emergency disconnect device and must be kept accessible at all times during operation of the amplifier.

It is recommended that the mains supply to the amplifier is fed via a double pole 30A RCCB.

3.4.1 Mains Supply Cable Connection

It is important to ensure that the required voltage is available at the input connector of the amplifier under conditions of maximum current demand (as stated on the **RATINGS LABEL**).

It is also important to ensure that for any supply selected, the mains supply no load to full load voltage drop is less than 10Vrms.

Under the conditions of a low voltage power source and long power connections leads, it may be necessary to select a cable for its low voltage drop rather than a selection based on the nominal current rating requirement (refer to local wiring regulations).

3.4.2 Earthing

An external protective earth conductor providing protection against RF and transient currents, must be connected between the amplifier and an adjacent earth point before applying the mains supply and should only be removed after disconnecting the amplifier from the supply. The connections must conform to local regulations. The external protective earth conductor must be a flat copper strap, braided or plain, and must be capable of carrying 30A. The length of external protective earth conductor must not exceed 400 mm.

3.4.3 Mains Supply Distribution

A mains supply disconnection device must be provided to isolate the amplifier from the mains supply source. Either a socket outlet or a two-pole isolation switch (rated for the maximum current condition) must be used as the mains supply disconnection device. It must be installed near the amplifier and be easily accessible. The mains connector on the amplifier must not be used as the mains supply disconnection device. It is provided for convenience during installation and for ease of operation.

It is strongly recommended that the mains supply for the amplifier is fed via a double pole residual current circuit breaker (RCCB). The amplifier earth leakage current is <6 mA rms under nominal operating conditions.

On low voltage 3-phase systems (e.g. 115 V line to neutral and 200V line to line), the unit may be operated bi-phase. In this case, the amplifier may be connected across any two lines of the 3-phase system to obtain what is effectively a 200 V single-phase source.

Under these circumstances the neutral of the 3-phase generator is not connected to the amplifier, this may offer a method of partially balancing a number of low power single phase loads operated from small generators.

If the amplifier is connected bi-phase, an external 2-pole protection device must be provided that disconnects both line connections in the event of a fault on either line.

This equipment has not been designed for connection to an IT power system.

3.5 USER INTERFACE CONNECTIONS

Note: Refer to the appendices at the end of manual for examples of wiring.

The amplifier is supplied with a user interface connector plug, but no cable. Additional connectors are available from e2v technologies. Please contact your distributor.

If the amplifier is to be used in applications where it is exposed to rain or subjected to condensation, all attempts must be made to prevent moisture ingress into the connector and cable loom. The connector plug accepts cable diameters up to a maximum of 15mm.

For use with cable diameters less than 15 mm the effective cable diameter should be increased to approximately 14 to 15 mm to allow an effective seal to be made when the connector is assembled. Self-amalgamating tape or layers of adhesive heat shrink cable are recommended. Connector back shells that accept adhesive heat shrink boots are available, please contact your distributor.

Fully screened cable should be used for interface requirements.

3.6 REDUNDANT SWITCH CONFIGURATION

If two amplifiers are to be connected to a redundant switched system, the control circuitry within the amplifiers can be used to implement a cost-effective switch control solution. Figure 5 on the following page shows the wiring connections required to implement a basic redundant switched system using the N6143 as the controlling device. The N6143 control unit is connected to the serial interface of both amplifiers, allowing remote switching and monitoring of switch position and amplifier operation (for further details on the N6143, contact your distributor).

As the amplifiers do not have a master/slave relationship, the position of the waveguide switch is pre-selected by the user either manually, via the user interface or from the N6143 control unit. The low power alarms on both amplifiers should be set if required and then both amplifiers placed in the transmit state. The automatic mode enable (AUTO ENA) input is then selected via the user interface or from the N6143 control unit to pass control of the switch to the amplifiers.

With both amplifiers operating normally in the transmit state with >1W of RF output power, the waveguide switch will remain as set. Each amplifier monitors the status of the other amplifier for potential faults. If the amplifier routed to the antenna develops a fault condition, or its RF output power drops below the low power alarm setting (1W minimum low power alarm level), the other amplifier takes control, switching the waveguide switch. If the N6143 control unit is used, an audible alarm will indicate the fault condition to the operator.

The amplifiers will remain in the automatic mode, but if the faulty amplifier does not recover and a fault occurs on the second amplifier it will not result in switching of the waveguide switch.

The waveguide switch coil should be a 24V type and a closed tell-back contact within the waveguide switch should be used for the amplifier whose output is switched to the load. An open contact tell-back should be used for the amplifier switched to the antenna.

Switching time is dependent upon the waveguide switch selected but will be typically 50-100ms.

The interface between the control unit and the amplifiers is via the local serial communications bus. As the amplifiers do not contain transmitter or receiver termination, the local serial communications bus should be fitted with 120R \pm 1%, 1/4W carbon film or similar termination resistors between pin d (RX+) and pin e (RX-), also between pin b (TX+) and pin c (TX-) of the 41-pin amplifier control connector. Termination of the serial communications bus is dependent upon the length and type of cable used, and should follow normal transmission line practice.

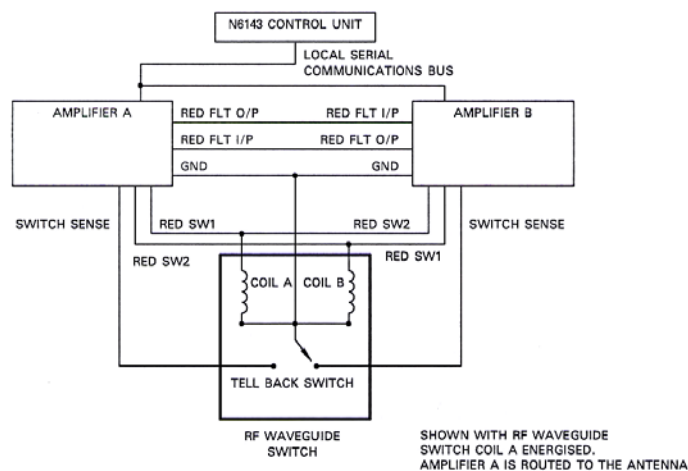


Figure 5 Redundant switch operation

Notes:

A wiring schematic diagram is given in the appendices for the connection of two amplifiers, the N6143 control unit and a waveguide switch.

If the amplifier AUTO ENA line is not asserted, the RED FLT O/P will not be enabled. Consequently, if an external controlling device other than the N6143 is used, the RED FLT O/P cannot be used to trigger the amplifier switch-over. As an alternative, the SUM FLT IND multiplexed fault lines or inverted XMIT IND outputs can be used as the trigger for the switch-over.

4 BASIC OPERATION OF THE AMPLIFIER

4.1 APPLYING THE MAINS VOLTAGE

Before applying the mains supply to the amplifier, the operator must be satisfied that:

- Both the RF input and RF output connections are correctly terminated (see section 3.2).
- Safety and cooling requirements are complied with (see safety notes and section 3.3).
- The correct type of mains cable is in use (see section 3.4).

Once the above has been verified apply the mains supply to the amplifier. The fans will be heard to start.

It is good practice to allow the TWT to cool for three to four minutes after leaving the transmit state, before disconnecting the amplifier from the mains supply.

4.2 MAINS SUPPLY INTERRUPTIONS

It is common on some mains or local generator derived supplies, for the supply to be temporarily interrupted. This section details the behaviour of the amplifier under these conditions when it is transmitting.

Interruption < 30 mS – the amplifier will continue to operate normally.

Interruption > 30mS < 3 Seconds – a degradation of RF performance can be expected and the amplifier will leave the transmit state. When the mains supply returns, the amplifier will automatically re-enter the transmit state within 1 second. All operating parameters will be as previously set.

Interruption > 3 Seconds – a degradation of RF performance can be expected and the amplifier will leave the transmit state. When the mains supply returns, the amplifier will remain in the off state until the user selects another operating state either manually or automatically.

4.3 FUNCTIONS

This section describes the control functions available to the user.

4.3.1 Amplifier Off State

Applying prime power to the unit results in the amplifier entering the off state until another state is selected. In this state, only the amplifier control, auxiliary circuits and fans are operational. The cooling fan will operate at maximum speed for the first 3 seconds after switch-on.

Following transmission, the off state can be requested to remove the amplifier from the transmit state.

4.3.2 Amplifier Warm-up State

Requesting either the standby or transmit state from the off state will result in the TWT cathode heater power being applied and the warm-up timer (180 seconds) being initiated.

Note: If the ambient temperature is less than -10°C, the warm-up timer period will be 10 minutes. During the warm-up period the standby or transmit states can be requested, to select the state that the amplifier will enter at the end of the warm-up period.

4.3.3 Amplifier Standby State

In this state the TWT cathode is at its operating temperature and the amplifier is ready to enter the transmit state. Power is applied only to the TWT cathode heater. Unless the transmit state has been requested, the amplifier will enter standby state when the warm-up is complete.

Following transmission, the standby state can be requested to remove the amplifier from the transmit state.

4.3.4 Amplifier Transmit State

With the amplifier in the standby state, selecting the transmit state results in the application of helix and collector voltages to the TWT, allowing RF transmission. In the transmit state, the RF output power and the TWT helix current monitor features are operational and the control of gain is possible using the (optional) Digital Electronically Variable Attenuator.

The cooling fans will alter speed (depending on internal temperature) to maintain adequate cooling to the TWT.

4.4 UP-CONVERTER OPERATION

Products in the C and Ku ranges with a U suffix in the type number (see figure 1) contain an integral L-band block up-converter (BUC). Inclusion of the BUC enables the input signal to be in the L-band range as defined in table 1 overleaf. The BUC may be synchronised with an external 10 MHz that enables it to be used without an external 10 MHz. This feature is activated when the external 10 MHz locking signal is too low or not present. The BUC must be used in conjunction with either the D or Z input options.

Table 1 Single Band BUC Basic Parameters

AMPLIFIER	PARAMETER	UNITS	LIMITS		
			Min	Nom	Max
STA2175 – CC1xU	Output Frequency	GHz	5.85	-	6.425
STA2375 – KU1xU		GHz	13.75	-	14.5
STA2375 – KU3xU		GHz	14.0	-	14.5
STA2175 – CC1xU	Input Frequency	MHz	950	-	1520
STA2375 – KU1xU		MHz	950	-	1700
STA2375 – KU3xU		MHz	950	-	1450
STA2175 – CC1xU	Local Oscillator Frequency	GHz	-	4.9	-
STA2375 – KU1xU		GHz	-	12.8	-
STA2375 – KU3xU		GHz	-	13.05	-

Note : In the Amplifier column, x indicates either the D or Z input option.

4.5 RF SAMPLE PORT

The RF sample port is provided as an optional N-type (female) connector, mounted at the opposite end of the amplifier to the waveguide flange. It allows external monitoring of the output power, providing a signal approximately 50 dB lower than the RF output power. It is provided with calibration data across the amplifier's frequency range.

5 USER INTERFACES

The amplifier is provided with two control interfaces, the user port and the serial communications interface (RS-485, 2 or 4-wire). All interfaces are available on the 41-pin control connector, located next to mains supply connector. This section identifies each control connector pin and describes the function of each pin, including the electrical specification.

5.1 PIN IDENTIFICATION

Code	Function	Pin
OFF IND	Off indicator output	A
WARMUP IND	Warm-up indicator output	B
STBY IND	Standby indicator output	C
XMIT IND	Transmit indicator output	D
SUM FLT IND	Summary fault indicator output	E
	Spare	F
RF INHIB	RF inhibit control input	G
INV RF INHIB	Inverted RF inhibit control input	H
OFF	Off control input	J
STBY	Standby control input	K
XMIT	Transmit control input	L
MUX 4	Multiplexed fault line 4 indicator output	M
FWD PW MON	Forward power monitor analogue output	N
GND	Ground	P
EXT INTLK	External interlock input	R
ADD 0	Address select 0	S
ADD 1	Address select 1	T
+ 15V	+ 15V output	U
ADD SEL	Address select	V
CTRL O/R	Control override select	W
MUX 0	Multiplexed fault line 1 indicator output	X
MUX 1	Multiplexed fault line 2 indicator output	Y
MUX 2	Multiplexed fault line 3 indicator output	A
MUX 3	Multiplexed fault line 4 indicator output	a
RS TX +	Serial interface TX +	b
RS TX-	Serial interface TX -	c
RS RX+	Serial interface RX +	d
RS RX-	Serial interface RX -	e
HX I MON	Helix current monitor analogue output	f
ADD 2	Address select 2	g
ADD 3	Address select 3	h
2/4 BUS SEL	2/4 wire serial bus select	i
	Spare	j
RED FLT O/P	Redundancy fault indicator output	k
RED SW 1	Redundancy RF switch drive 1 – this HPA to antenna	m
RED SW 2	Redundancy RF switch drive 2 – this HPA to load	n
RS GND	Serial interface signal return	p
SWITCH SENSE	Redundancy RF switch sense input	q
AUTO ENA	Redundancy automatic mode enable input	r
RED SEL	Redundancy select input	s
RED FLT I/P	Redundancy fault input	t

5.2 USER INTERFACE FEATURES

5.2.1 Indicator Outputs – Type 1

Normally open relay contact outputs switched to GND (pin P on the user interface connector) when condition is true.

Example 1 Amplifier in the off state is indicated by pin A on the user interface connector closing to pin 'P'.

Example 2 MUX 0 fault line is at binary 1 when pin X on the user interface connector closes to pin P.

OFF IND Indicates power is applied and that the unit is in the off state.

WARMUP IND Indicates the TWT cathode three minute warm-up timer is operating and that the unit is in the warm-up state.

STBY IND Indicates the TWT cathode warm-up is complete, the unit is in the standby state and ready to enter the transmit state.

XMIT IND Indicates the unit is in the transmit state.

SUM FLT IND Indicates the unit has detected a fault condition.

MUX 0

MUX 1

MUX 2

MUX 3

MUX 4

Five binary coded discrete lines that indicate the fault conditions; the following list gives a breakdown of these fault conditions with a brief description of reset conditions.

MUX fault code	Fault	Reset code
00001	Peak helix overcurrent	A
00010	Mean helix overcurrent	A
00011	Excessive reflected power	A
00100	Power factor correction	P
00101	DC bus supply	P
00110	HV overload	A
00111	External interlock open	M
01000		
01001		
01010	Cooling fan failure	P
01011	TWT collector too hot	M
01100		
01101		
01110	Case too hot	M
01111		
10000		
10001	Heater voltage outside limits	M
10010		
10011	Collector voltage outside limits	M
10100	Cathode voltage outside limits	M

Reset Code Description

A (automatic reset). Units that exhibit faults with this reset code will be immediately removed from the transmit state and placed into the fault state. The unit will automatically attempt to reset to the transmit state after 3 seconds and if this fails the unit will attempt a further two reset cycles. If after the three reset attempts the amplifier still exhibits the fault condition, the unit will remain in the fault state for 4 minutes before returning to the off state, unless the fault clears and the transmit state is reselected.

M (manual reset). Units that exhibit faults with this reset code will be immediately removed from the transmit state and placed into the standby state. The unit will remain in this state for the period of 4 minutes before returning to the off state, unless the fault clears and the transmit state is reselected.

P (prime power reset). Units that exhibit faults with this reset code will be immediately removed from the transmit state and placed into the fault state. If the fault is seen to clear, the mains supply should be removed for nominally 10 seconds before re-applying to reset the trip.

5.2.2 Indicator Outputs – Type 2

Normally open relay contact outputs switched to GND (pin P on the user interface connector) when conditions is false.

Example Unit is operating normally with no fault condition when pin k on the user interface connector is closed to pin P.

RED FLT O/P Part of the redundant switch control facility. Indicates that the unit has suffered a low power alarm or a fault condition that has resulted in removal from the transmit state. This output would normally be connected to the RED FLT I/P (pin t on the user interface connector) of the other amplifier in the redundant switch system.
Note: Only active if the AUTO ENA input has been asserted.

5.2.3 Analogue Outputs

The following analogue outputs are provided to allow the user to implement a simple and cost effective monitoring system. These outputs are also available in digital form via the RS-422 or RS-485 serial communications interface (see section 6). These outputs are referenced to GND (pin P on the user interface connector).

It is recommended that a screened cable is utilised to avoid RFI effects.

FWD PW MON Provides a 0 to +10Vdc analogue output that corresponds to a RF output power range of 0 to 750 W. This output is a linear 50 W/V. Maximum output impedance 100 Ω

HX I MON Provides a 0 to +10Vdc analogue output that corresponds to a TWT Helix current range of 0 to 10mA. This output is a linear 1 mA/V. Maximum output impedance 100 Ω

5.2.4 Control Inputs – Type 1

The following control inputs are of the momentary edge-triggered type. The inputs are internally pulled up to +12V by 3k3 resistors. The input is asserted on the falling edge i.e. as the input is switched to GND (pin P on the user interface connector). Only one input should be asserted at a time and should be relinquished for at least 10mS prior to asserting another type 1 input.

Note: The operation of the XMIT control input is modified while the CTRL O/R input is asserted. See section 5.2.6.

Minimum pull down time 1mS
Maximum external switch 'on' resistance 100 Ω

OFF Selects the off state directly from any of the other four operating states (warm-up, standby, transmit and fault).

STBY Selects the standby state directly from the transmit state. When selected from the off state the unit is placed into the warm-up state for three minutes before automatically entering the standby state.

XMIT Selects the transmit state directly from the standby state. When selected from the off or warm-up states the transmit state is automatically entered after the end of the three minute heater warm-up time.

RED SEL Part of the redundant switch control facility, selecting the amplifier to be routed to the antenna.

5.2.5 Control Inputs – Type 2

The following control inputs are of the level active type. The inputs are internally pulled up to +12V by 3k3 resistors.

Maximum external switch 'on' resistance 100 Ω

AUTO ENA	Part of the redundant switch control facility, toggling between the automatic and manual change over mode. In the automatic mode, a failure of the other amplifier will automatically route this amplifier to the antenna. GND = Automatic mode, Not Connected = Manual mode.
RF INHIB	Only operational with the solid-state amplifier option. Allows the RF signal to be inhibited, giving a minimum RF output attenuation of 45 dB. GND = RF Inhibited, Not Connected = RF enabled.
INV RF INHIB	As above except inverted. GND = RF enabled, Not connected = RF inhibited.
SWITCH SENSE	Part of the redundant switch control facility, providing the waveguide switch position tell-back input. Should be connected to the waveguide switch so that this pin is connected to ground when the amplifier is routed to the dummy load. GND = RF output routed to dummy load, Not connected = RF output routed to the antenna.
RED FLT I/P	Part of the redundant switch control facility, receiving the status feedback signal from the other amplifier. When the other amplifier indicates a fault condition, the RF output from this unit should be switched to the antenna. This pin should be connected externally to the RED FLT O/P (Pin k on the user interface connector) of the other amplifier in the redundant switch system. GND = Other amplifier operational, Not connected = Fault on other amplifier, therefore switch.
EXT INTLK	An external interlock input that operates as a fault trip. If the EXT INTLK input is opened whilst the amplifier is in the transmit state, then the amplifier is automatically placed into the fault state. In order to return to the transmit state the EXT INTLK input must first be closed (reset conditions are detailed in section 5.2.1). If the external interlock is open in any other state, then the fault condition is indicated but the amplifier state is not changed. If this feature is not required, this pin should be linked to GND within the 41-pin user interface connector. GND = transmit state available, Not Connected = Inhibit transmit state

5.2.6 Control Inputs – Type 3

The following control inputs set the modes of operation of the unit. They are designed to be linked within the 41 pin user interface connector during equipment installation and therefore do not form part of the everyday control functions of the unit. To set the mode, the appropriate pins should be linked to +15V (pin U on the user interface connector).

Maximum external link resistance 100 Ω

Note: Although designed to operate using the externally generated +15V, with local links, an external supply can be used to remotely set these modes of operation. Any external supply should be capable of nominally +15V at 4mA per pin and should conform to the following requirements:

Maximum logic 0 voltage 0.8 V dc
 Minimum logic '1' voltage + 12 V dc
 Maximum logic '1' voltage + 30V dc

ADD 0	Four binary coded discrete lines that allow the user to set the address of the unit when using the RS-422 or RS-485 serial communications interfaces (this hardware address select mode is only active when ADD SEL is not connected to +15V). +15V = binary '1', Not connected = binary '0'
ADD 1	
ADD 2	
ADD 3	

The following gives the binary and equivalent hexadecimal code of these discrete lines.

Address code	Address (Hex)
0000	30
0001	31
0010	32
1110	3E
1111	3F

ADD SEL Allows the user to select the method of setting the serial communications device address. The address can be set either in hardware using the ADD 0 to ADD 3 lines above, or in software over the serial interface itself (see section 6.1.12).

Note: With hardware address selection, the only valid baud rate is 9600.

+15 V = Software selection, Not connected = Hardware selection.

This feature allows the user to return to a known address, in the event of lost contact with the unit, by simply cutting the ADD SEL to +15V link. The amplifier is supplied with no links, hence the interface is set to:

Address 30H
Baud rate 9600

CTRL O/R Allows the user to select the 'black box' mode. When selected, as soon as the mains supply is applied to the unit, the warm-up state is entered and subsequently the unit automatically enters the standby state. If the XMIT control input is linked to GND the unit then enters the transmit state. Switching the XMIT control input between GND and open circuit will switch the unit between transmit and standby states. In addition, as the mains supply is applied to the unit, the attenuator, if fitted (units with a D suffix to the product type number), will be set to minimum attenuation. This feature provides operation with the minimum of control connections. Whilst in this mode, all indicator outputs and other control inputs excluding the XMIT operate as normal.

+15V = Black box mode, Not connected = Normal mode.

5.2.7 Miscellaneous Functions.

+15V Auxiliary supply output of nominally +15V dc \pm 5% at 100mA maximum. Provides the user with a local low voltage output for use with type 3 user port control inputs and other external control interface circuitry.

GND Provides the ground return reference for many of the user interface lines.

RED SW1/2 Part of the redundant switch control facility, providing two waveguide switch coil drive outputs. Each output is nominally +24V dc at 1.6A, pulsed for 100ms. An internal 1.8A current limit is provided along with flywheel diodes for protection, further simplifying waveguide switch interface considerations. RED SW 1 should be connected so that when asserted, the RF output from the unit is switched to the antenna. RED SW 2 should be connected so that when asserted, the RF output from the unit is switched to the dummy load.

RS TX +
RS TX -
TS RX +
RS RX -
RS GND Provides connection for a RS-485 or RS-422 interface allowing connection as a slave to an asynchronous, half duplex, multi-drop, four-wire bus. This gives full remote control and monitoring of the amplifier as part of an integrated system. The main features, protocols and operation of the serial are described in section 6.

2/4 BUS SEL Allows a 2- or 4-wire serial bus.

+ 15V = 2-wire, Not connection = 4-wire.

Note: For a 2-wire system, link pins b and d, c and e.

6 RS-485 SERIAL BUS

6.1 GENERAL DESCRIPTION AND FEATURES

The amplifier is equipped with a RS-485 interface allowing connection as a slave to an asynchronous, half-duplex, multi-drop, four-wire bus. This gives full remote control and monitoring of the amplifier as part of an integrated system.

The following section describes the main features, protocols and operation of the amplifier with the multi-drop serial bus.

6.1.1 HPA Type?

A data request command that prompts a response giving the amplifier type number and software issue (see section 6.3.3).

6.1.2 Status?

A data request command that prompts a response of 9 data bytes, within which the status flags are contained (see section 6.3.3). The following list summarises the status flags available on the 9 data bytes:

D1

Summary fault	Indicates that the amplifier has seen at least one of the fault conditions described in this section. The amplifier operation and reset conditions will be dependent upon the fault present.
Transmitting	Indicates that the amplifier is operating in the transmit state (full details of the operating modes are given in section 4.3).
Standby	Indicates that the amplifier is operating in the standby state (full details of the operating modes are given in section 4.3).
Warm-up	Indicates that the amplifier is operating in the warm-up state (full details of the operating modes are given in section 4.3).
Off	Indicates that the amplifier is operating in the off state (full details of the operating modes are given in section 4.3).

D2

Output to antenna	When using the redundant switch control feature, if set, indicates that the amplifier is routed to the Antenna. If not set, indicates that the amplifier is routed to the Load. See section 6.1.3 for details on the operation of the redundant switch control feature.
Power too high	Indicates that the high power alarm is set and that the RF output power is above the alarm level. The amplifier will remain in the transmit state, but with the RF inhibited, until either - The RF output power falls below the alarm level (decrease the RF input power or increase the internal digital attenuator, if fitted) and an 'RF enable' request is sent to clear the 'RF inhibit' or - The high power alarm is disabled (see section 6.1.5).
High power alarm enabled	Indicates that the high power alarm is enabled. See section 6.1.5 for details on enabling, disabling and operation of the power alarms.

D3

Power too low	Indicates that the low power alarm is set and that the RF output power level is below the alarm level. The amplifier will remain in the transmit state, but the fault flag will only clear once either - The RF output power level exceeds the alarm level or - The low power alarm is disabled (see section 6.1.5)
Low power alarm enabled	Indicates that the low power alarm is enabled. See section 6.1.5 for details on enabling, disabling and operation of the power alarms.
RF enabled	Indicates that the RF is enabled. The RF enabled/inhibited commands are accepted in any of the operational modes. See section 6.1.7 for details on enabling/disabling the RF inhibit feature.
Remote enabled	Indicates that the amplifier is in remote mode allowing control via the serial communications interface. See section 6.1.12 for details on enabling and disabling remote mode.

D4	
HV overload	Indicates that the amplifier has seen an internal HV overload fault trip. The amplifier will revert to the fault state and automatically attempt to reset three times. For full reset details see section 5.2.1.
External interlock	Indicates that the external interlock input is asserted. This prevents the amplifier from entering the transmit state until the input becomes unasserted. The amplifier will revert to the fault state if the external interlock is asserted while in the transmit state (see section 5.2.5).
D5	
PF correction	Indicates that the amplifier has seen an internal power factor corrector fault trip. The amplifier will revert to the fault state automatically. Prime power must be removed and re-applied to reset the trip.
Reflected power	Indicates that the amplifier has seen an excessive reflected power trip. The amplifier will revert to the fault state and automatically attempt to reset three times. For full reset details see section 5.2.1.
Mean helix current	Indicates that the amplifier has seen an excessive mean helix current trip. The amplifier will revert to the fault state and automatically attempt to reset three times. For full reset details see section 5.2.1.
Peak helix current	Indicates that the amplifier has seen an excessive peak helix current trip. The amplifier will revert to the fault state and automatically attempt to reset three times. For full reset details see section 5.2.1.
D6	
Case too hot	Indicates that the amplifier has seen an excessive internal case temperature trip. The amplifier will revert to the fault state automatically until the fault condition clears.
Up-converter warning #1	Indicates that the amplifier has no 10MHz locking signal (multiplexed onto the RF input). This flag is only active if the amplifier contains an up-converter module (type numbers with a U in the suffix). This is an advisory alarm only and will remain set until condition clears. The amplifier will remain in the transmit state.
Up-converter warning #2	Indicates an 'out of lock' condition. This is an advisory alarm only and will remain set until the condition clears. The amplifier will remain in transmit state.
D7	
TWT collector too hot	Indicates that they amplifier has seen excessive TWT collector temperature. The amplifier will revert to the fault state automatically until the fault condition clears.
Stirrer fans	Indicates that the amplifier has seen an internal cooling fan fault. The amplifier will revert to the fault state automatically. Prime power must be removed and re-applied to reset the trip.
Cooling fans	Indicates that the amplifier has seen an internal cooling fan fault. The amplifier will revert to the fault state automatically. Prime power must be removed and re-applied to reset the trip.
D8	
Not currently used	
D9	
TWT cathode volts	Indicates that the TWT cathode voltage has varied outside the set window limits (unstable). The amplifier will revert to the fault state automatically until the fault condition clears. For full reset details, see section 5.2.1.
TWT collector volts	Indicates that the TWT collector voltage has varied outside the set window limits (unstable). The amplifier will revert to the fault state automatically until the fault condition clears. For full reset details, see section 5.2.1.
TWT heater volts	Indicates that the amplifier has seen an internal heater fault. The amplifier will revert to the fault state automatically. Prime power must be removed and re-applied to reset the trip.

6.1.3 General Amplifier Control

The following simple command messages that do not have an associated return of data, allow basic control of the amplifier. (See section 6.3.1 for details of message format)

Off	Selects the amplifier off state.
Standby	Selects the amplifier standby state. If selected from the off state, results in the automatic initiation of the cathode heater warm-up timer (180 seconds, or 10 minutes if below -10°C).
Transmit	Selects the amplifier transmit state. If selected from the off state, results in the automatic initiation of the cathode heater warm-up timer (180 seconds, or 10 minutes if below -10°C).

6.1.4 Redundancy Mode

The following simple command messages that do not have an associated return of data, allow control of the built-in redundancy waveguide switching feature (see section 3.6 for details of operation and see section 6.3.1 for details of message format).

Enable manual redundancy mode	Cancels the automatic redundant mode, described below.
Enable auto-redundancy mode	Selects the automatic redundant operating mode. In the event of an amplifier failure, the waveguide switch will be automatically positioned so as to route of the output from the good amplifier to the antenna.
This HPA to antenna	Selects the appropriate position of waveguide switch that routes this amplifier to the antenna.
This HPA to load	Selects the appropriate position of the waveguide switch that routes this amplifier to the load.

6.1.5 Power Alarms

The following command messages allow the control and monitoring of the built-in high and low power alarms feature. The associated fault flags are detailed in section 6.1.2.

Set low power alarm	Allows the low power alarm level to be set in watts, or disabled when set to zero (see section 6.3.4 for details of passing parameters).
Set high power alarm	Allows the high power alarm level to be set in watts, or disabled when set to zero (see section 6.3.4 for details of passing parameters).
Low power alarm?	A command message requesting data, that results in a response showing the current low power alarm setting in watts (see section 6.3.2 for details of command and response format).
High power alarm?	A command message requesting data, that results in a response showing the current low power alarm setting in watts (see section 6.3.2 for details of command and response format).

6.1.6 Warm-up Time?

A command message requesting data, that results in a response showing the remaining warm-up time in seconds (see section 6.3.2 for details of command and response format). Only active when in the warm-up state, returns zero seconds in all other operating states including off state.

6.1.7 Attenuator Control

The following command messages allow the control/monitoring of the built in digital attenuator feature if fitted.

Set Attenuator	Allows the digital attenuator level to be set in nominal units. Units range from 0 to 4095. 0 signifies zero attenuation or maximum gain (see section 6.3.4 for details of passing parameters).
Attenuator?	A command message requesting data, that results in a response showing the current attenuator setting in nominal units of 0 to 4095, 0 corresponding to zero attenuation or maximum gain (see section 6.3.2 for details of command and response format).

6.1.8 RF Control

The following simple command messages that do not have an associated return of data allow control of the RF by switching on or off the power supply to the active RF input components, if fitted (see section 6.3.1 for details of message format).

Enable RF	Cancels the RF inhibit mode, described below.
Inhibit RF	Inhibits the RF output from the unit by removing the power to the active RF input components.

6.1.9 Helix Current Monitoring

The following command messages allow the control/monitoring of the built-in helix current monitoring and recording feature.

Helix record top of file	A simple command message that returns the helix current record pointer to the top of the non-volatile historical helix current file (details below). The 'top of the file' corresponds to the earliest record (see section 6.3.1 for details of message format).
Next helix current record?	A command message requesting data, that results in a response showing the historical helix current record in mA. During operation in the transmit state, the amplifier automatically stores in non-volatile memory, a reading of helix current every 15 minutes. After 50 hours (200 readings) an average is taken and stored to the non-volatile historical index current file. Each request automatically steps the file pointer to the next entry, allowing easy data retrieval. Resetting to the top of the file (earliest entry) is detailed in section 6.3.1 (see section 6.3.2 for details of command and response format).
Helix current?	A command message requesting data, that results in a response showing the helix current in mA. If a request is sent in any state other than transmit, the response will show helix current (see section 6.3.2 for details of command and response format).

6.1.10 Elapsed Hours?

A command message requesting data, that results in a longer data string response showing the total elapsed hours and the elapsed hours in the transmit, standby and off states (see section 4.3 for details of operating modes, see section 6.3.5 for details of message format).

6.1.11 Forward Power?

A command message requesting data, that results in a response showing the RF output power in watts. If a request is sent in any state other than transmit, the response will show zero forward power (see section 6.3.2 for details of command and response format).

6.1.12 Interface set-up

To use the serial communications interface, the amplifier must be placed into the remote mode of operation. This can only be achieved via the serial communications interface. To send the remote enable command, the address and baud rate must be correctly set. This can be done either:

In hardware, on the 41-pin control connector using links (see section 5)

or

Via the master controlling device by polling all combinations of address and baud rate. Once captured either the address or baud rate can be modified.

The following command messages allow the set-up and control of the serial communications interface feature:

Set address	Allows the address to be set in nominal units between 48 and 111 48 = 30H 111 = 6FH (see section 6.4.5 for details of passing parameters).
-------------	-----------------------------------------------------------------------------------------------------------------------------------------------------

Set baud rate	Allows the baud rate to be set in nominal units between 1 and 6 1 = 600 2 = 1200 3 = 2400 4 = 4800 5 = 9600 6 = 19200 (see section 6.3.4 for details of passing parameters).
Go to local	A simple command message that places the amplifier into the local mode, allowing control via the 'user interface' discrete control lines. Data requests via the serial communications interface will continue to be serviced in the local mode, however commands other than 'remote enable' will be rejected as non-executable (see section 6.3.1 for details of message format).
Remote enable	A simple command message that places the amplifier into the remote mode, allowing control via the serial communications interface. When in the remote mode, the standby and transmit 'user interface' discrete control inputs are disabled; all other control inputs and monitor outputs remain active.

6.1.13 RF band selection

Multi-band amplifiers usually require changes to operating parameters to optimise RF performance at different frequency bands. These parameter changes are made automatically by using the following command messages.

Select RF band	This command message is only available for multi-band amplifiers and should be used with the amplifier in the off mode. The command allows selection of the RF band as follows (see section 6.3.4 for details of passing parameters): 0 C-band 1 X-band 2 Ku-band 3 DBS-band The band selection is limited to the RF bands supported by the amplifier.
RF band selection?	This command message, requesting data, is only available for multi-band amplifiers and results in a response showing the currently selected RF band, as follows (see section 6.3.2 for details of command and response format): 000 C-band 001 X-band 002 Ku-band 003 DBS-band

6.2 PROTOCOL

6.2.1 Interface and Termination

The serial interface is RS-422/485 compatible 2/4-wire with no receiver biasing option. As the amplifier does not contain transmitter or receiver termination, the local serial communications bus should be fitted with 120R \pm 1%, 1/4W carbon film or similar termination resistors between pin d (RX+) and pin e (RX-), also between pin b (TX+) and pin c (TX-) of the 41-pin amplifier control connector. Termination of the serial communications bus is dependent upon the length and type of cable used, and should follow normal transmission line practice. If used in the redundant mode with another amplifier, or on a multi-drop system, the bus termination is only required on one equipment, typically the furthest from the master device.

A screened cable, terminated to the backshell of the user interface connector, should be used to prevent radio frequency interference from adversely affecting operation. When connecting the screen of the cable to the backshell, a full 360° electrical connection should be made (pig-tailed connection should be avoided).

For short cable runs up to approximately 5 m, a suitable data transmission cable, with a characteristic impedance of 120R, would include a twin twisted pair conductor arrangement, typical conductor size of 24 to 26 AWG, screened in aluminised tape with an overall tinned copper braid. A pin is provided on the connector for the connection of a drain wire if available on the cable. For cable runs above 5m and additional insulated core should be used as a signal return connection.

6.2.2 Data Format

The format is:

- 1 start bit
- 7 data bits with most significant bit sent as EVEN parity
- 1 stop bit

Which can be realised as:

- 1 start bit
- 7 data bits
- EVEN parity
- 1 stop bit

6.2.3 Data Rate

The default data rate is 9600 baud but other baud rates may be selected using the appropriate command.

6.2.4 Generalised Message Format

<delimiter> address command data <delimiter> checksum

Message component	Function	ASCII	Hex	Decimal
Delimiter	Start of text	STX	2	2
	End of text	ETX	3	3
	Acknowledge	ACK	6	6
	Not Acknowledge	NAK	15	21
Address	The unique address of the amplifier in the stated range.	0 - o	30 - 6F	48 – 111
Command	A character specifying a particular function for the amplifier to perform. The character can be in the stated range.	0 - DEL	30 - 7F	48 – 127
Data	A parameter qualifying a command or data returned in response to a command. Characters can be in the stated range.	SP - DEL	20 - 7F	32 – 127
Checksum	Bit by bit exclusive OR of all characters in message between and including the delimiters. Characters can be in the stated range.	NUL – DEL	0 - 7F	0 – 127

6.2.5 Command Message Format

<STX> address command <ETX> checksum
Command message with no qualifying data.

<STX> address command data <STX> checksum
Command message including a qualifying parameter

6.2.6 Response Message Format

All valid command messages are acknowledged in the following forms. The address and command characters are a reiteration of those in the command message.

<ACK> address command <ETX> checksum
Simple acknowledgment.

<ACK> address command data <ETX> checksum
Acknowledgment with data.

Any unrecognised or un-executable commands will be acknowledged in the form shown below.

<NAK> address command data <ETX> checksum
Not acknowledged, with explanation for the command rejection.

Any command containing a parity, framing, overrun, or checksum error will be ignored and consequently the master must reissue the command.

6.2.7 Message Timing

The maximum time between each character of a message must not exceed 10 ms, and a pause of 10mS minimum should be inserted after a command message to allow units to recognised bus inactivity between commands.

6.2.8 Summary of Command Messages

Message	ASCII	Hex	Type (see below)
Amplifier type?	0	30	US
Status?	1	31	US
Enable manual redundancy mode	5	35	UC
Enable auto redundancy mode	6	36	UC
This amplifier to antenna	7	37	UC
This amplifier to load	8	38	UC
Select RF band	9	39	UC+p
Set low power alarm	A	41	UC+p
Set high power alarm	B	42	UC+p
Warm-up time?	C	43	US
Set attenuator	D	44	UC+p
Enable RF	E	45	UC
Helix record top of file	F	46	UC
Next helix current record?	G	47	US
Helix current?	H	48	US
Input power? (see note)	I	49	US
Elapsed hours?	J	4A	US
Go to local	L	4C	UC
RF band setting?	M	4D	UC
Inhibit RF	N	4E	US
Off	O	4F	UC
Forward power?	P	50	US
Remote enable	R	52	UC
Standby	S	53	UC
Reflected power?	T	54	US

Attenuator?	U	55	US
High Power Alarm?	V	56	US
Low power alarm?	W	57	US
Transmit	X	58	UC
Set Address	Y	59	UC+p
Set baud rate	Z	5A	UC+p

Type:

- UC user command
- UC+p user command with parameter
- US user status/data request

Note: Input power is not monitored.

Data requests will be serviced with the amplifier in either local or remote mode. However, for other commands to be executed, (with the exception of remote enable) the amplifier must be in remote mode. Commands will be rejected as un-executable with the amplifier in local mode.

6.3 EXAMPLES OF COMMAND AND RESPONSE MESSAGES

Examples of each command type are given in a generalised, ASCII and hexadecimal form using the address 5 (35H) for specific examples. The expected response message for each command is show using the same format.

Note:

- ASCII non-printable characters are enclosed thus < >.
- The final character in each example is the checksum.

6.3.1 Simple Command Message (no return of data)

Command	ASCII	Hex
Enable manual redundancy mode	5	35
Enable auto redundancy mode	6	36
This amplifier to antenna	7	37
This amplifier to load	8	38
Enable RF	E	45
Helix current record top of file	F	46
Go to local	L	4C
Inhibit RF	N	4E
Off	O	4F
Remote enable	R	52
Standby	S	53
Transmit	X	58

Command Gen <STX> address S <ETX> checksum
 ASCII <STX> 5S <ETX> g
 Hex 02 35 53 03 67

Response Gen <ACK> address S <ETX> checksum
 ASCII <ACK> 5S <ETX> c
 Hex 06 35 53 03 63

6.3.2 Command Messages Requesting data

Command	ASCII	Hex
Warm-up Time?	C	43
Next helix current record?	G	47
Helix current?	H	48
Elapsed hours?	J	4A
Forward power?	P	50
Attenuator?	U	55
High Power alarm?	V	56
Lower power alarm?	W	57

Command Gen <STX> address H <ETX> checksum
 ASCII <STX> 5H <ETX> I
 Hex 02 35 48 03 7C

Response Gen <ACK> address H xx.xmA <ETX> checksum
 ASCII <ACK> 5H12.4mA <ETX> M
 Hex 06 35 48 31 32 2E 34 6D 41 03 4D

6.3.3 Universal Command Messages Requesting Data

Command	ASCII	Hex
Amplifier type?	0	30h

Command Gen <STX> address 0 <ETX> checksum
 ASCII <STX> 50 <ETX> <EOT>
 Hex 02 35 30 03 04

Response Gen <ACK> address 0 mmmmmnn <ETX> checksum
 ASCII <ACK> 50217501 <ETX> <NUL>
 Hex 06 35 30 32 31 37 35 30 31 03 00

The amplifier type is returned as 217501. STA 2175 operating with control software issue 01.

Command	ASCII	Hex
Status?	1	31h

Command Gen <STX> address 1 <ETX> checksum
 ASCII <STX> 51 <ETX> <ENQ>
 Hex 02 35 31 03 05

Response Gen <ACK> address 1 D1 D2 D3 D4 D5 D6 D7 D8 D9 <ETX>
 checksum
 ASCII <ACK> 51P@A@@@A@@@<ETX> Q
 Hex 06 35 31 50 40 41 40 40 41 40 40 03 51

The status response comprises 9 data bytes defined as follows. D1 to D3 are data bytes representing the operational status of the amplifier

D1	Function	D2	Function
bit 7	Parity	bit 7	Parity
bit 6	1	bit 6	1
bit 5	0	bit 5	0
bit 4	Fault	bit 4	0
bit 3	Transmitting	bit 3	Output to antenna
bit 2	Standby	bit 2	Auto-redundancy enabled
bit 1	Warm-up	bit 1	Power too high
bit 0	Off	bit 0	High power alarm enabled.
D3	Function		
bit 7	Parity		
bit 6	1		
bit 5	0		
bit 4	0		
bit 3	Power too low		
bit 2	Low power alarm enabled		
bit 1	RF enabled		
bit 0	Remote enabled		

D4 to D9 are data bytes representing the fault/warning status of the amplifier:

D4	Function	D5	Function
Bit 7	Parity	bit 7	Parity
Bit 6	1	bit 6	1
Bit 5	0	bit 5	0
Bit 4	0	bit 4	0
Bit 3	0	bit 3	PFC fault
Bit 2	External interlock	bit 2	Reflected power
Bit 1	HV overload	bit 1	Mean helix current
Bit 0	0	bit 0	Peak helix current
D6	Function	D7	Function
Bit 7	Parity	bit 7	Parity
Bit 6	1	bit 6	1
Bit 5	0	bit 5	0
Bit 4	Up-converter warning #2	bit 4	0
Bit 3	Linearizer enabled	bit 3	0
Bit 2	0	bit 2	Collector too hot
Bit 1	Case too hot	bit 1	Fan fault
Bit 0	Up-converter warning #1	bit 0	0
D8	Function	D9	Function
Bit 7	Parity	bit 7	Parity
Bit 6	1	bit 6	1
Bit 5	0	bit 5	0
Bit 4	0	bit 4	0
Bit 3	0	bit 3	Cathode volts outside limits
Bit 2	0	bit 2	Collector volts outside limits
Bit 1	0	bit 1	0
Bit 0	0	bit 0	Heater volts outside limits

6.3.4 Command Messages Requesting Longer Data Strings

The command J (elapsed hours?) returns longer data strings than other commands. The format is as follows:

Command	ASCII	Hex
Elapsed hours?	J	4A

Command <STX> address J <ETX> checksum

Response <ACK> address J Tnnnnn Xnnnnn Snnnnn Onnnnn <STX> checksum

Where Tnnnnn – total elapsed hours
 Xnnnnn – elapsed hours in transmit mode
 Snnnnn – elapsed hours in standby mode
 Onnnnn – elapsed hours in off mode

6.3.5 Command Messages Passing Parameters

Command	ASCII	Hex
Set low power alarm	A	41
Set high power alarm	B	42
Set attenuator	D	44
Set address	Y	59
Set baud rate	Z	5A

Command Gen <STX> address A = nnn <ETX> checksum
 ASCII <STX> 5A=150 <ETX> I
 Hex 02 35 41 3D 31 35 30 03 7C

Response Gen <ACK> address A <ETX> checksum
 ASCII <ACK> 5A <ETX> q
 Hex 06 35 41 03 71

The alarm setting is sent as '=nnn', where 'nnn' is in watts (leading zeros not required). The alarms are disabled by setting to zero (A=0, B=0).
 The attenuator setting is sent as '=nnn' where 'nnn' is in nominal units (leading zeros not required).
 If the '=' is omitted, the command will be considered invalid and a 'not acknowledge' response sent.

6.3.6 Response to an invalid command message

Command messages will be classed as invalid if the command is not recognised, a parameter is out of range or not numeric or the command cannot be executed. For example, if a command which is not part of the amplifier command set is used, the response will be as follows:

Command Gen <STX>address B <ETX> checksum
 ASCII <STX>5b<ETX>v
 Hex 02 35 42 03 76

Response Gen <NAK>address B D1 <ETX> checksum
 ASCII <NAK>5Bp<ETX><DC1
 Hex 15 35 42 70 03 11

D1 is a byte representing the invalid command code. It is defined as follows:

D1	Function
bit 7	Parity
bit 6	0
bit 5	0
bit 4	0
bit 3	0
bit 2	0
bit 1	0
bit 0	1 = command not executed 0 = command/data invalid

6.4 APPLICATION NOTES

Before attempting to control the amplifier using the RS-485 4-wire multi-drop bus, check the following:

- Ensure that the data connector is correctly wired (Rx +, Rx- are not reversed etc).
- Check that the amplifier data rate is the same as that of the master (should be set to 9600 baud).
- Ensure that the amplifier has a unique address.
- Check that the master has the same data format as the amplifier (1 start bit, 7 data bits, EVEN parity and 1 stop bit).

If the amplifier is being controlled using the two-wire system.

- Link b with d, and c with e.

7 RELATED DOCUMENTS

IDENTITY	TITLE
STA2T45 Series	Data sheet, Stellar 450W Tri-Band Antenna Mount TWTA
STA2175 Series	Data sheet, Stellar 750W C-Band Antenna Mount TWTA
STA2275 Series	Data sheet, Stellar 750W X-Band Antenna Mount TWTA
STA2375 Series	Data sheet, Stellar 750W Ku-Band Antenna Mount TWTA
STA2450 Series	Data sheet, Stellar 500W DBS-Band Antenna Mount TWTA
HBN6143-1	N6143 Operation Manual

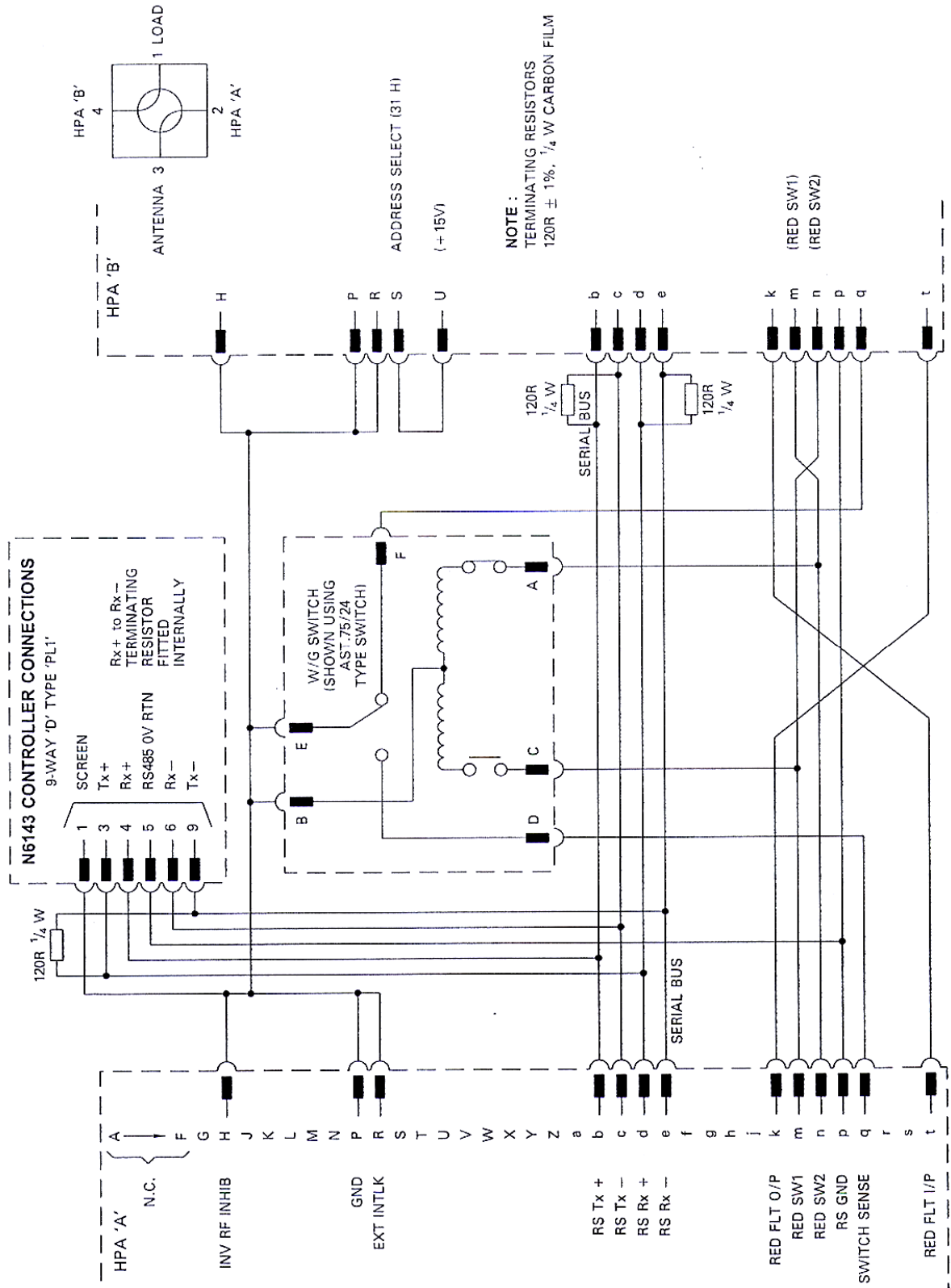
Check with e2v technologies to ensure that any of the above documents supplied are of the most recent issue.

8 APPENDICES

8.1 APPENDIX A

Dual Amplifier Redundant Configuration using N6143 Controller

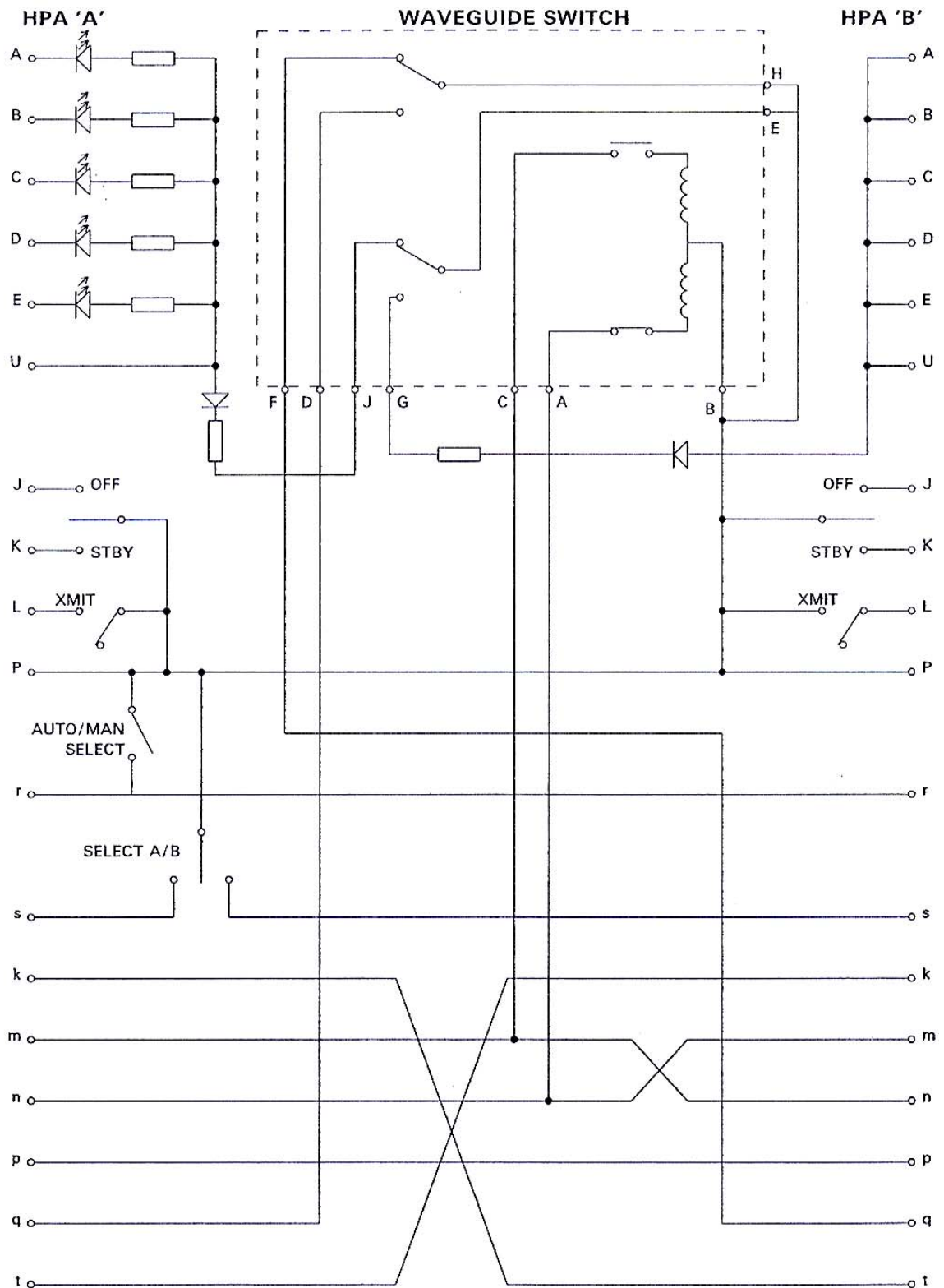
If the requirement is for a two-amplifier redundant system, the following wiring can be used. A personal computer can be used in place of the N6143 controller; commands and protocols are detailed in this manual.



8.2 APPENDIX B

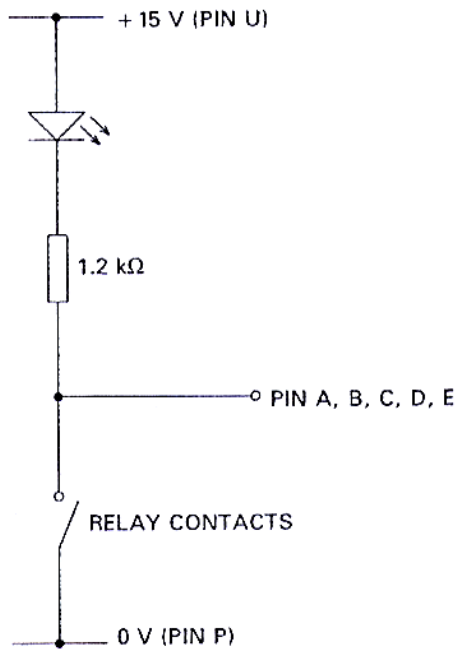
Dual Amplifier Redundant Configuration with Manual Control

Basic control functions can be obtained by using manual toggle switches. An example of the interface wiring for this is as follows:



8.3 APPENDIX C

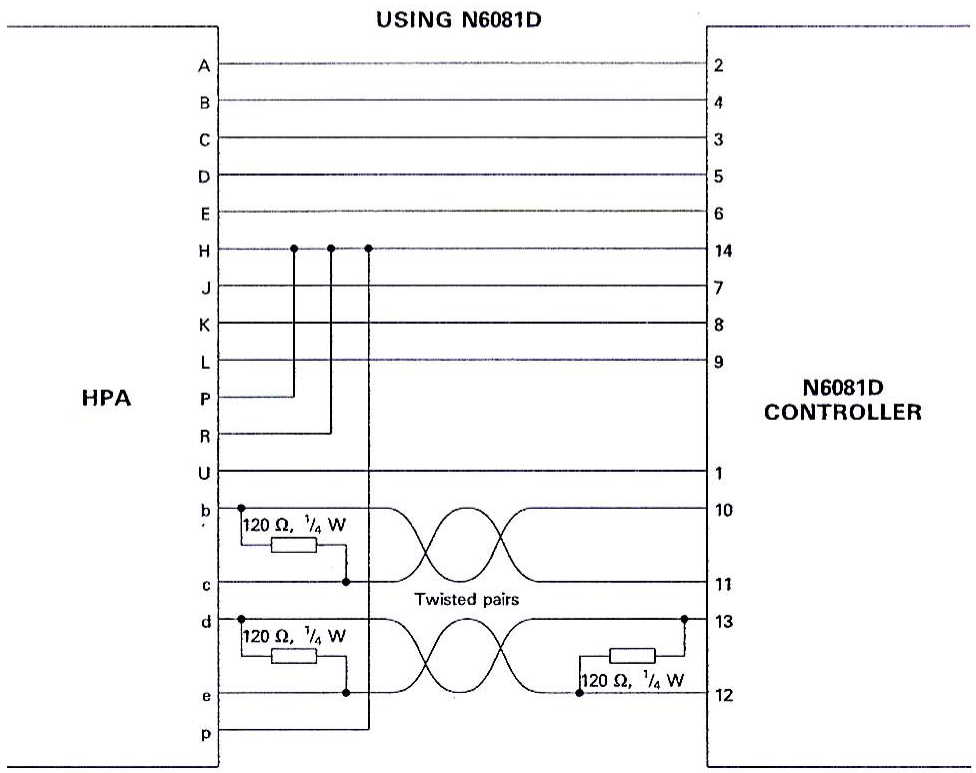
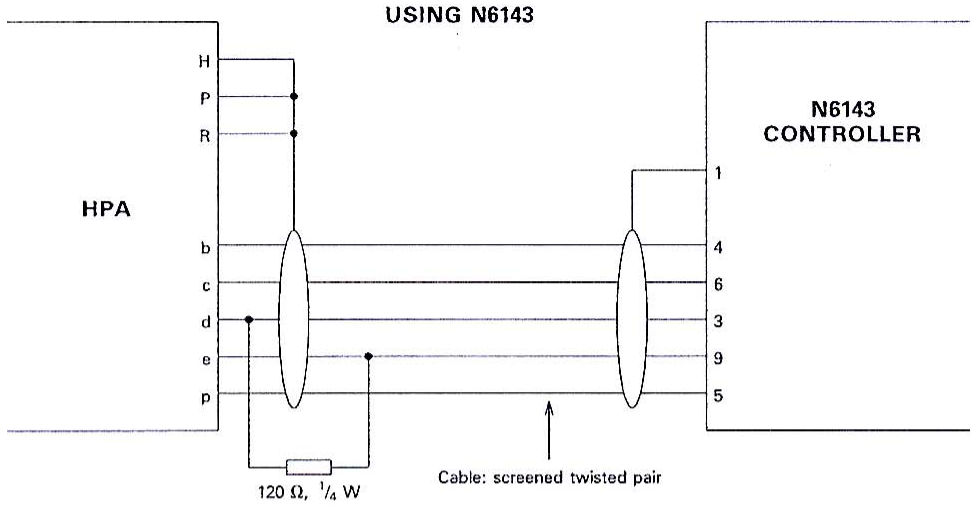
This circuit is connected to the indicator outputs OFF IND, WARMUP IND, STBY IND, XMIT IND and SUM FLT IND as described in Section 5.2.1.



8.4 APPENDIX D

Single Amplifier Configuration with N6143/N6081D Controllers

If operating in single amplifier mode, the remote interfacing becomes easier to provide. A simple RS-485 link is required between the amplifier and the controller to give full functionality. The dual amplifier controller (N6143) can still be used in this set-up as it is fully configurable to either single or dual amplifier mode of operation. The N6081D is a low-cost, single amplifier controller that also provides the amplifier parameter display (it uses the low voltage DC supply from the amplifier, so it does not require a mains power connection). Examples of the interface for this method of control are as follows;



8.5 APPENDIX E

Single Amplifier Configuration with Manual Control

When operating in single amplifier mode with no serial bus controller, it is possible to provide full control manually as shown below.

Notes

1. If switch 2 is set to XMIT on application of prime power, the amplifier will automatically enter the XMIT state after 3 minutes of warm-up.
2. To enter the OFF state, switch 2 must be in the STBY position prior to the OFF state being selected via switch 1.
3. The resistor values will depend on the type of LED used.
4. If specific fault indication is required, this circuit can be used. Refer to section 5.2.1 for codes.

